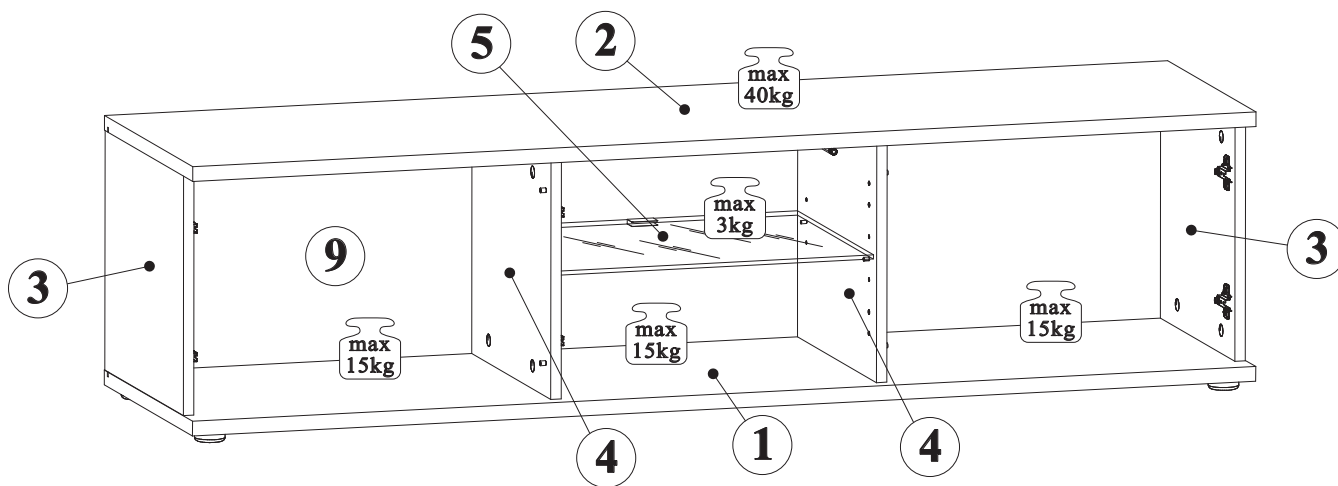
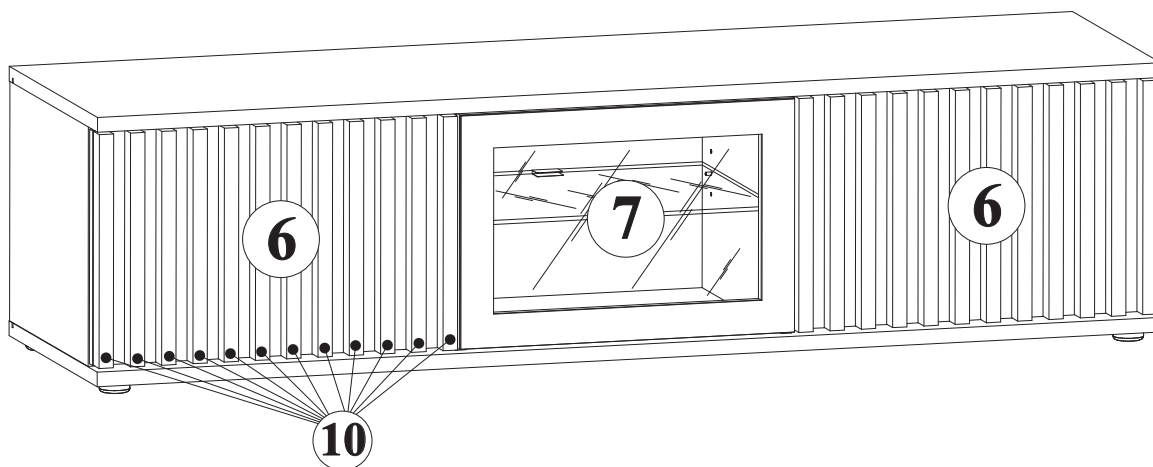
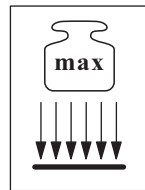
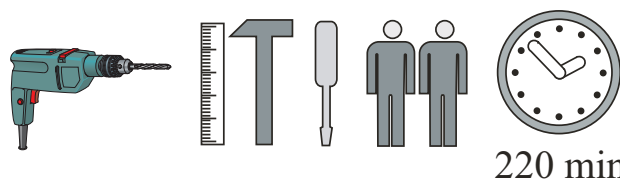


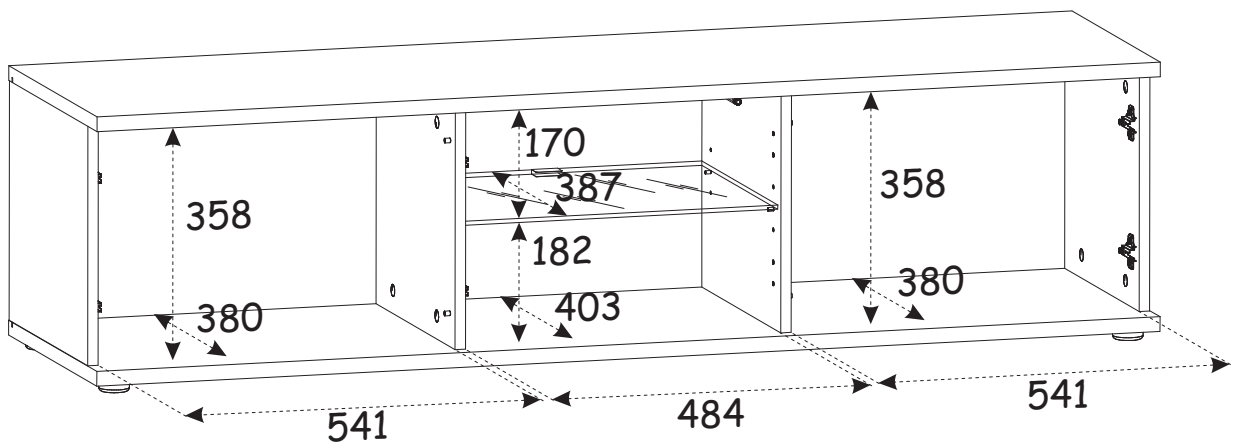
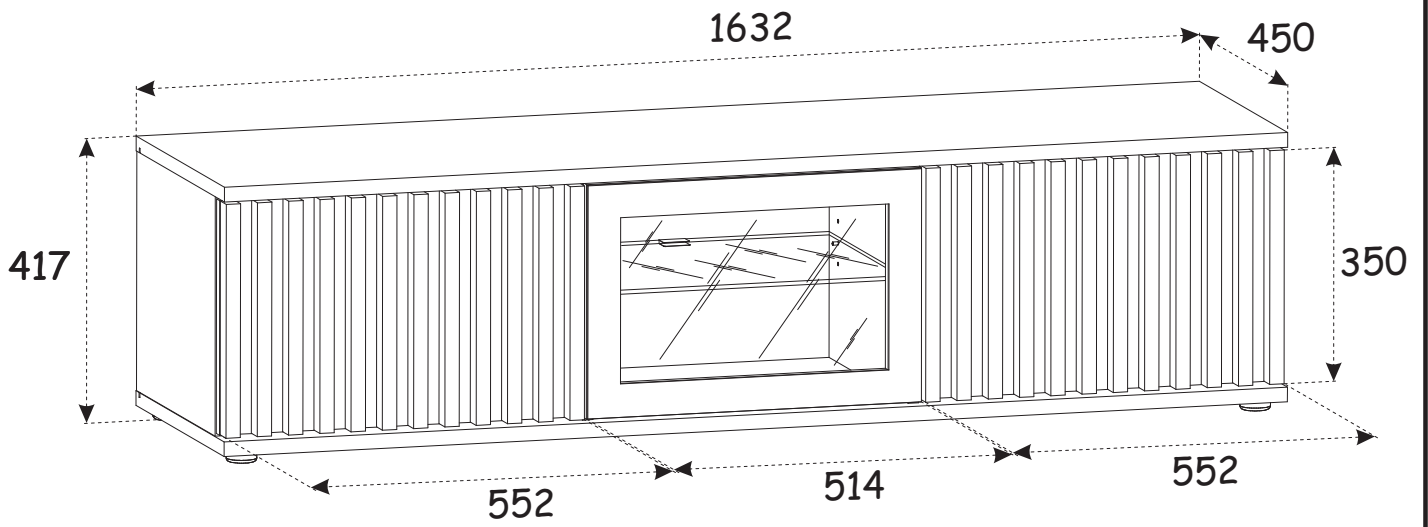
CAMERON ___ CM RTV

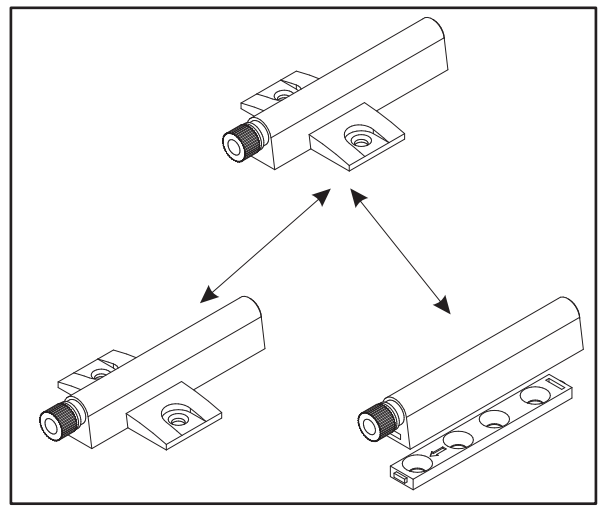
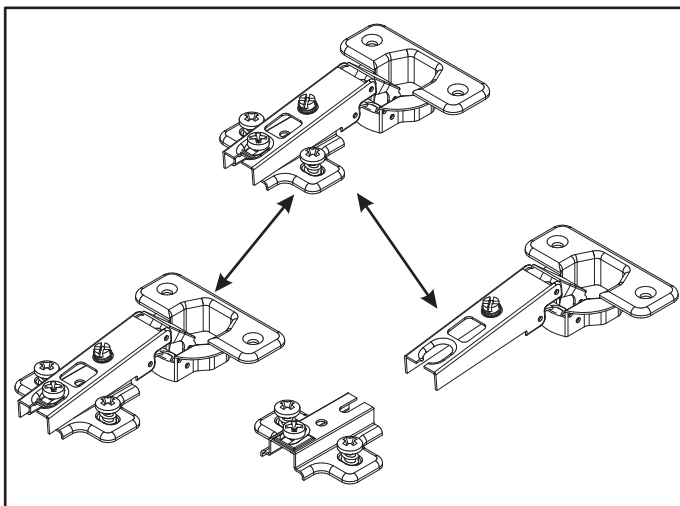
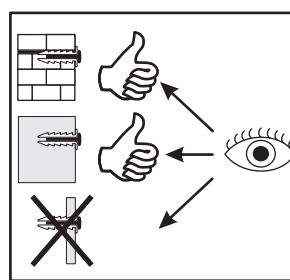
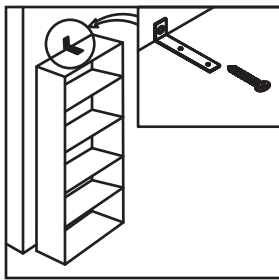
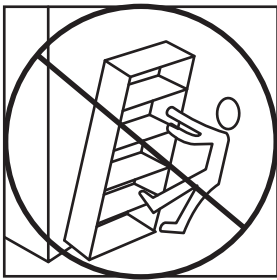
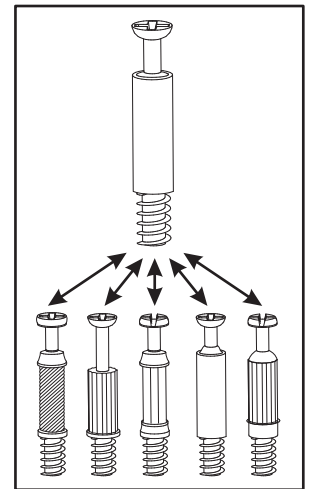
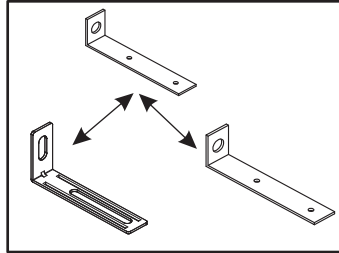
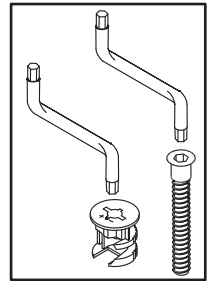
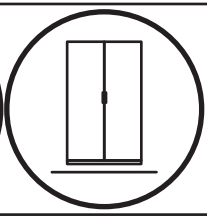
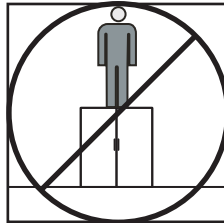
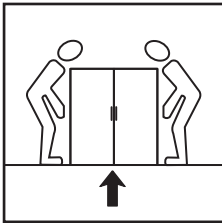
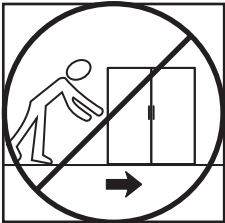
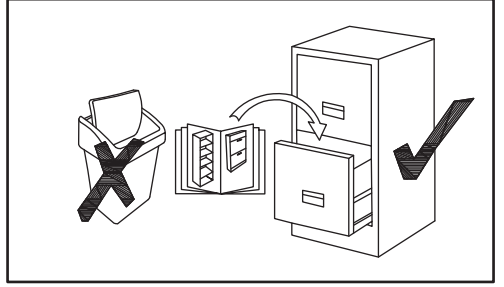
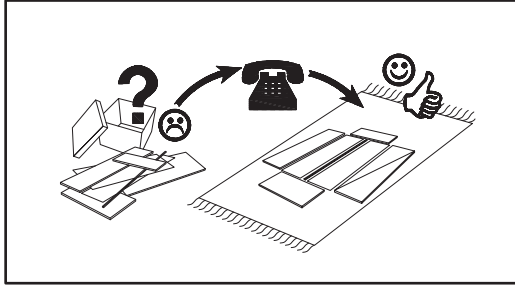
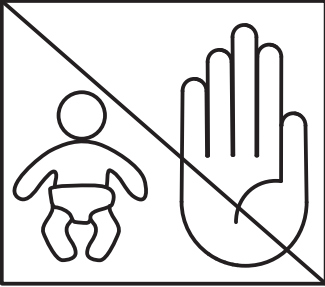
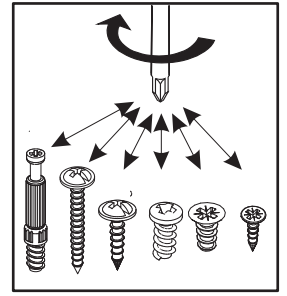
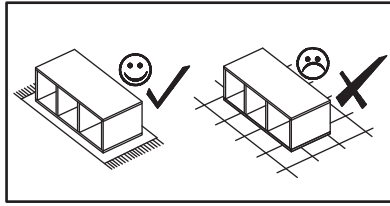
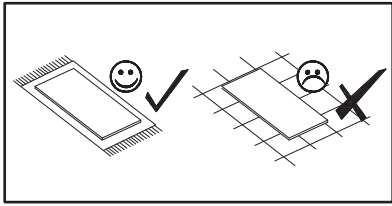


NO	Dim (mm)			Col.-No	Qty
1	1632	450	22	2/2	1
2	1632	450	22	2/2	1
3	358	400	16	1/2	2
4	358	403	16	1/2	2
5	483	387	6	1/2	1
6	350	552	16	1/2	2
7	350	514	16	1/2	1
9	1610	370	3	2/2	1
10	349	30	22	1/2	24

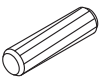


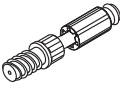


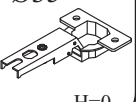
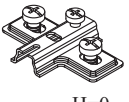
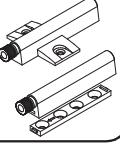
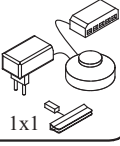
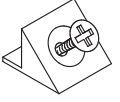


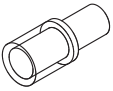
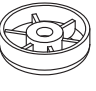


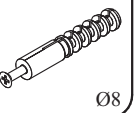
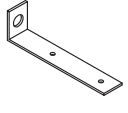




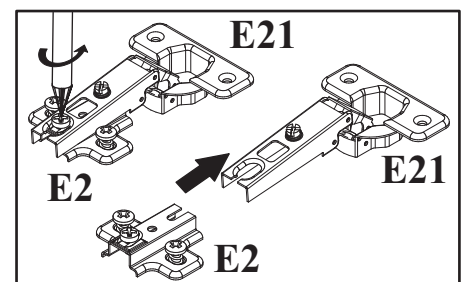
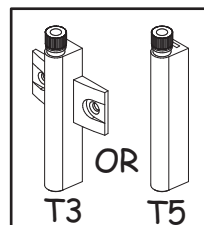
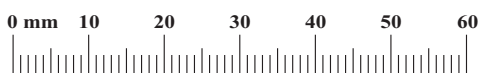
220 min

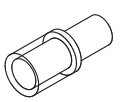


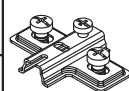


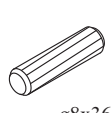
CAMERON ___ CM RTV


A1 x16 ø8x36		B22 x48 Ø7x40		G4 x44		B4 x16		B5 x16 Ø15x12		G5 x16	
E21 x6 Ø35 H=0		E2 x6 H=0		T3/T5 x1		LED x1 1x1		S1 x14		Z2 x4 Ø5	
UP9 x4 UPØ3,5x16		G20 x8		I11 x6 Ø45, h=15		UP11 x6 UPØ4x20		D10 x18 USØ3,5x13		KR1 x2 Ø8	
L1 x2		G2 x1		G12 x4 Ø14							



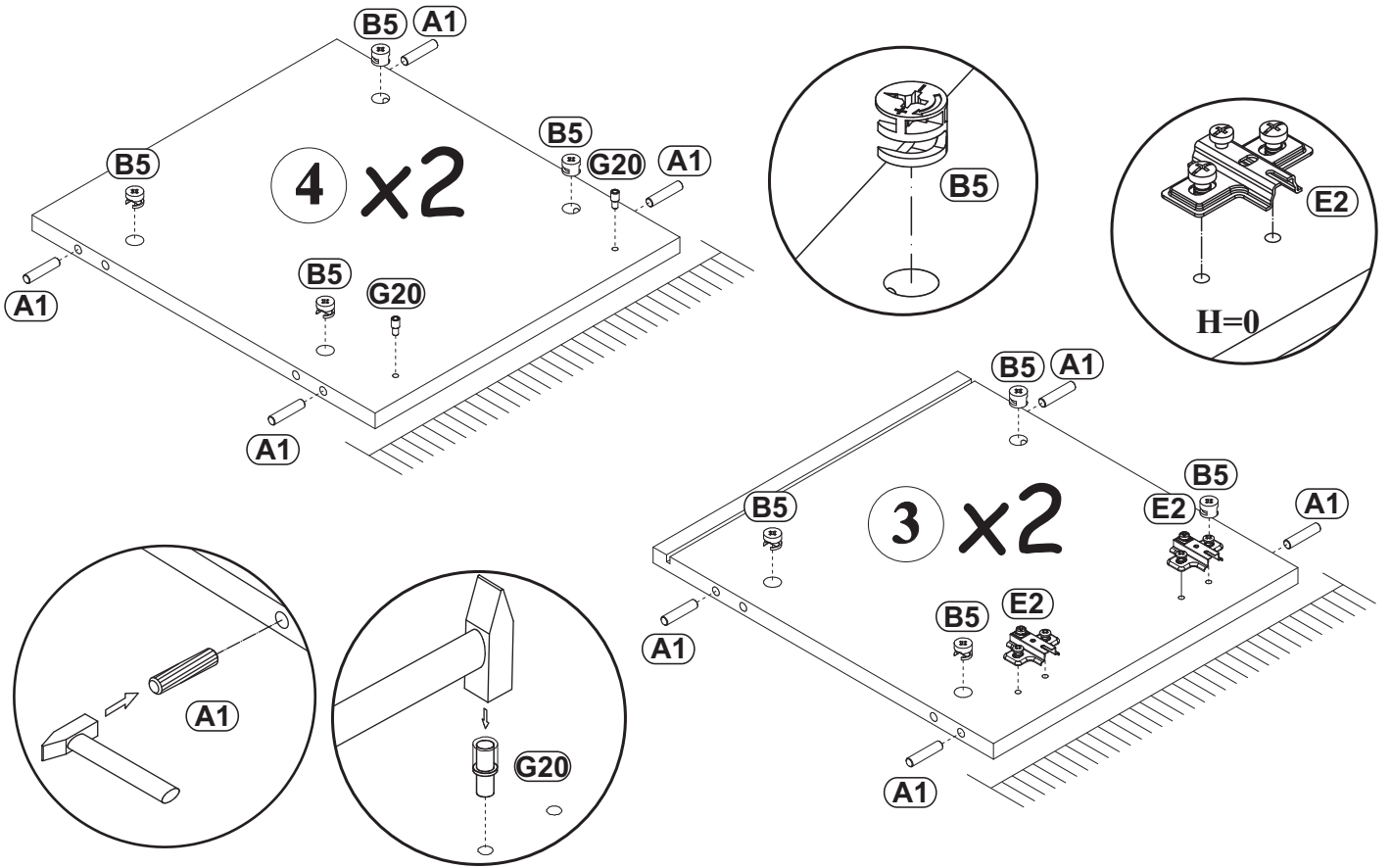
G20	
x4	

E2	
x4	H=0

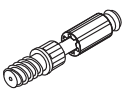
A1	
x16	ø8x36

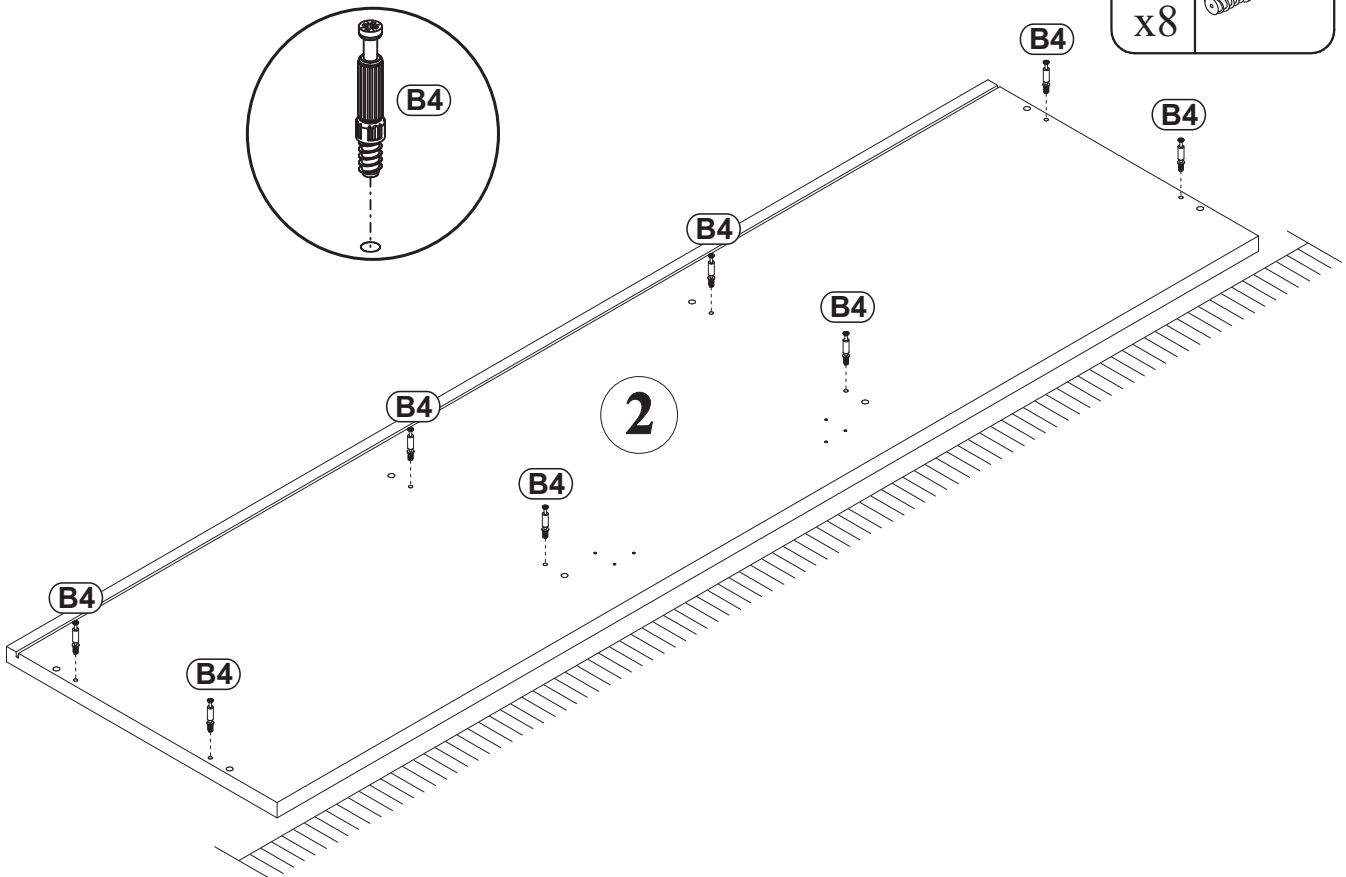
B5	
x16	Ø15x12

1




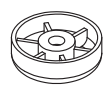
2

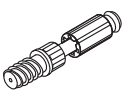
B4	
x8	

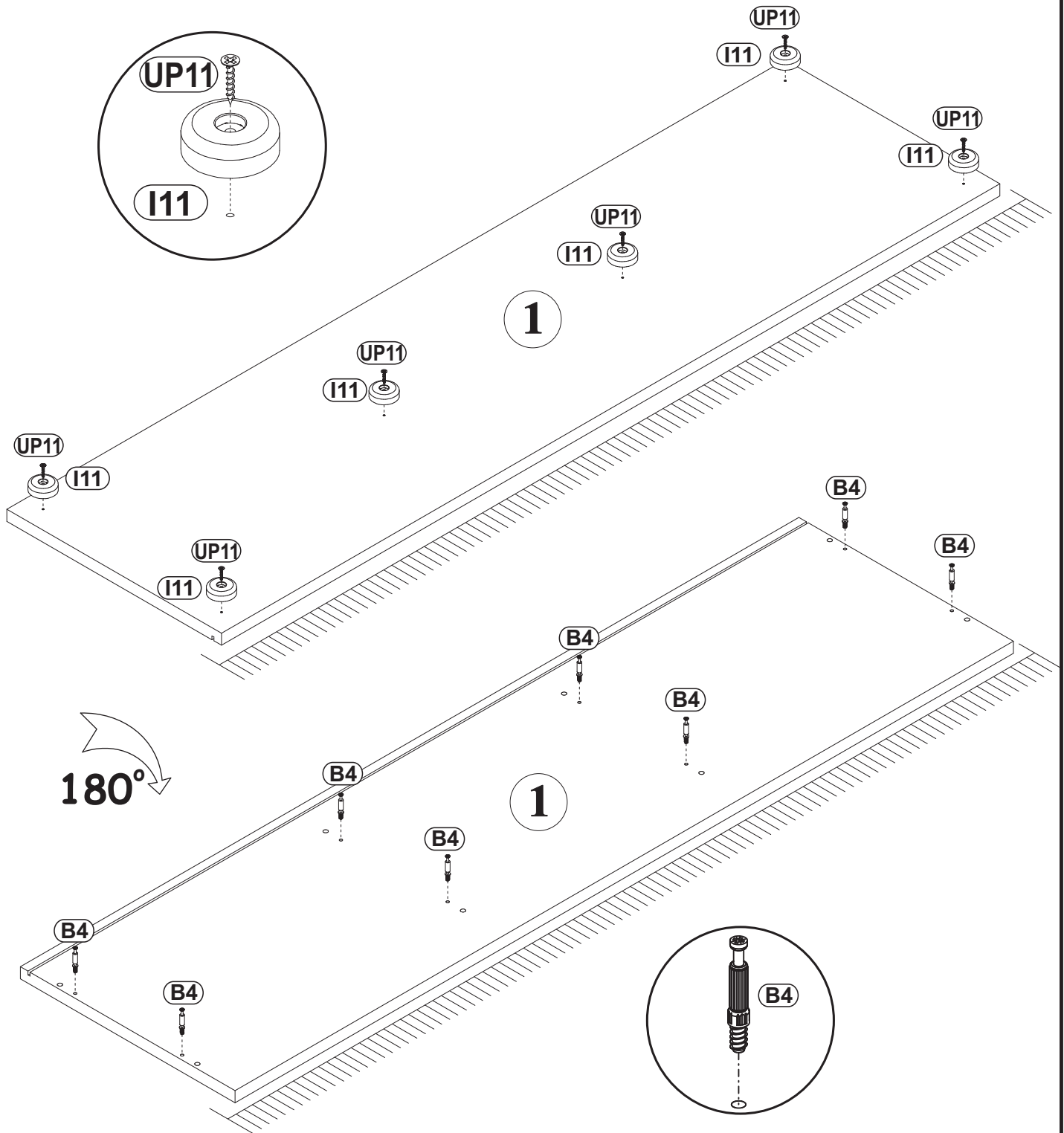


3

UP11	
x6	UPØ4x20

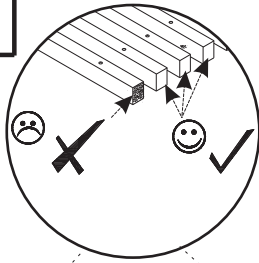
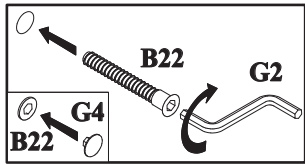
I11	
x6	Ø45, h=15

B4	
x8	



CAMERON ___ CM RTV

4

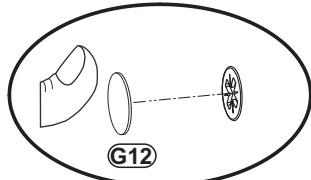
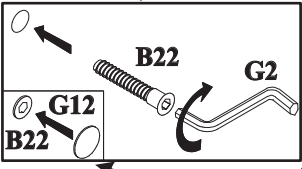
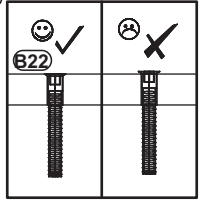
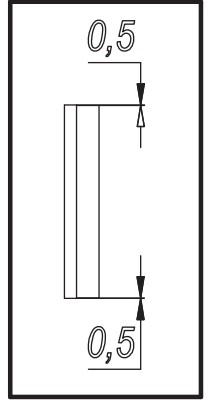
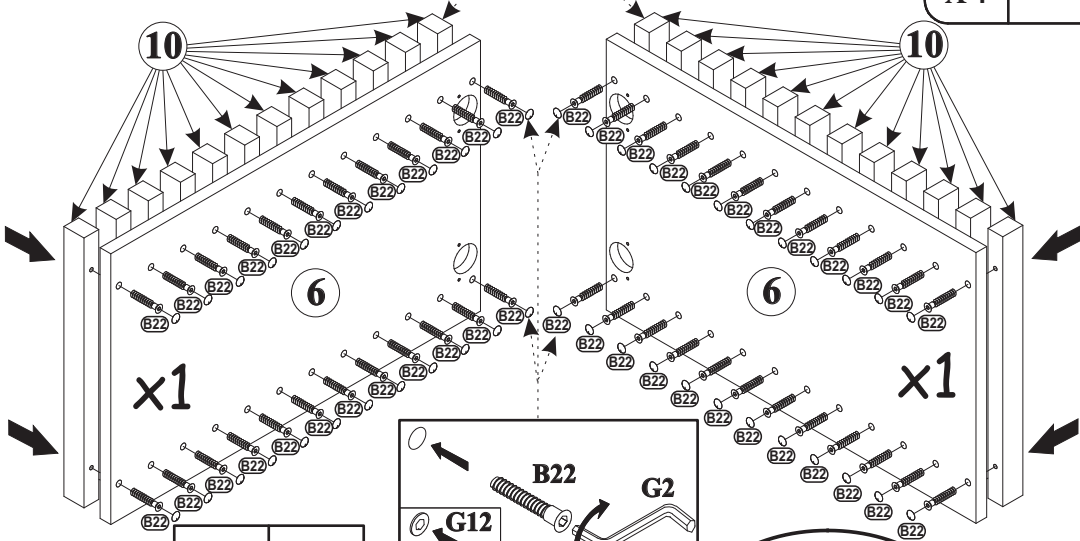


G4	
x44	

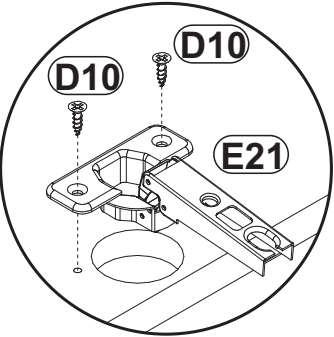
B22	
x48	Ø7x40

G12	
x4	Ø14

G2	
x1	

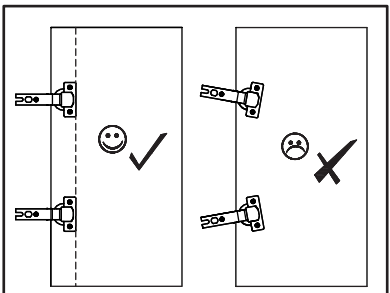
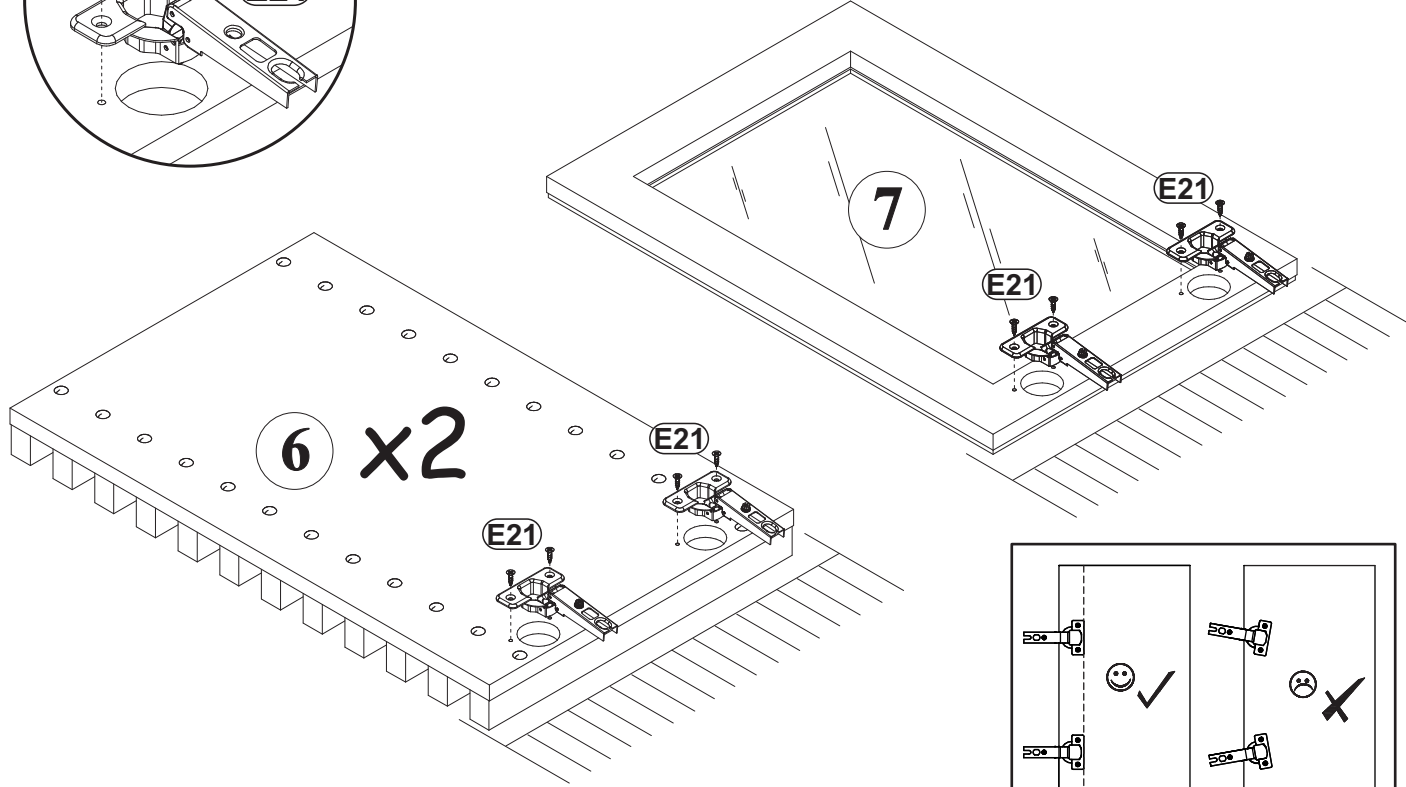


5

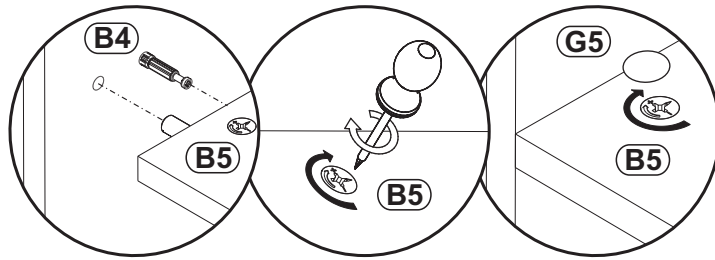



D10	
x12	USØ3,5x13

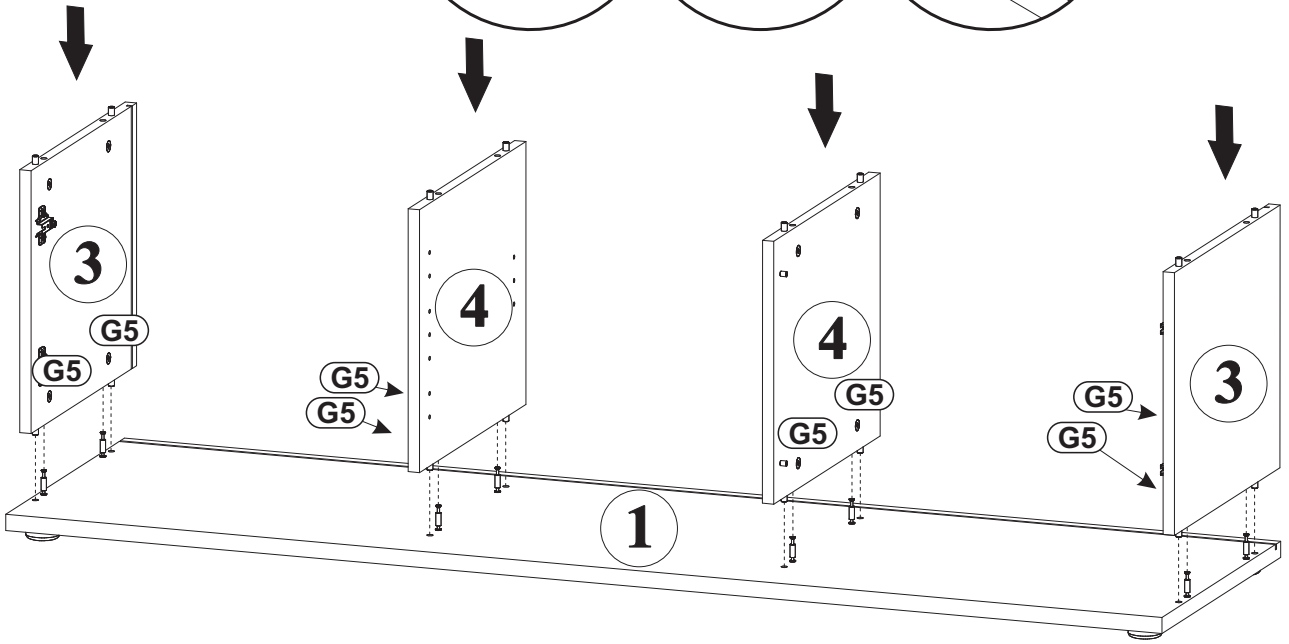
E21	
x6	Ø35 H=0



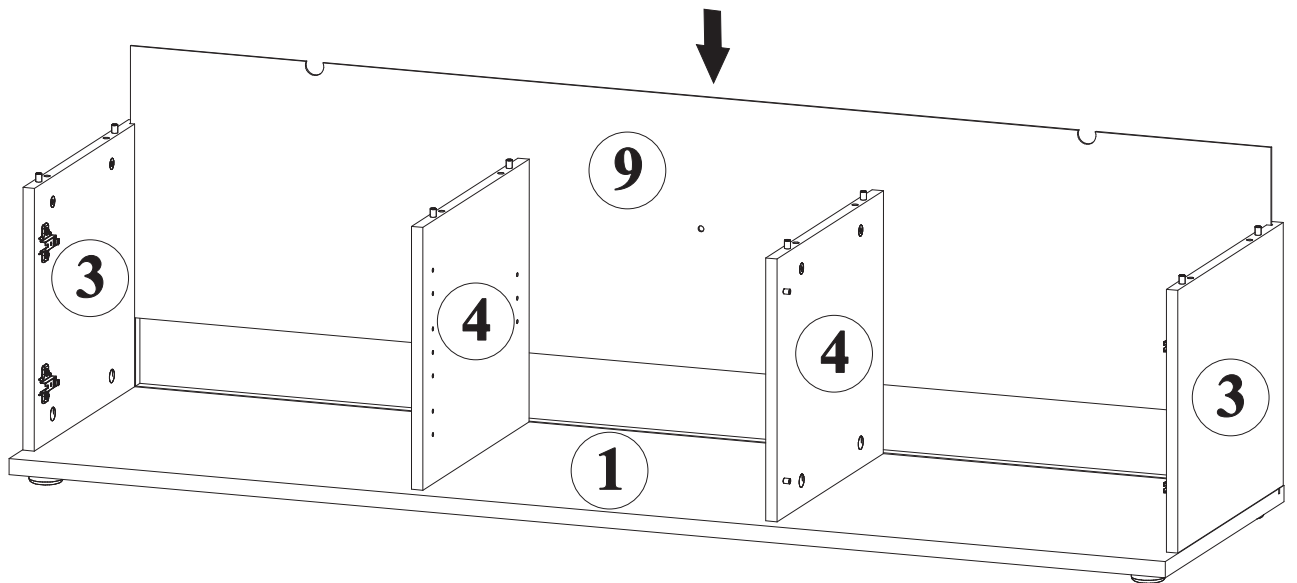
6




G5	
x8	

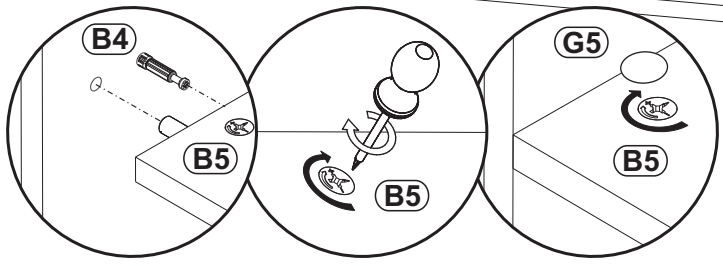
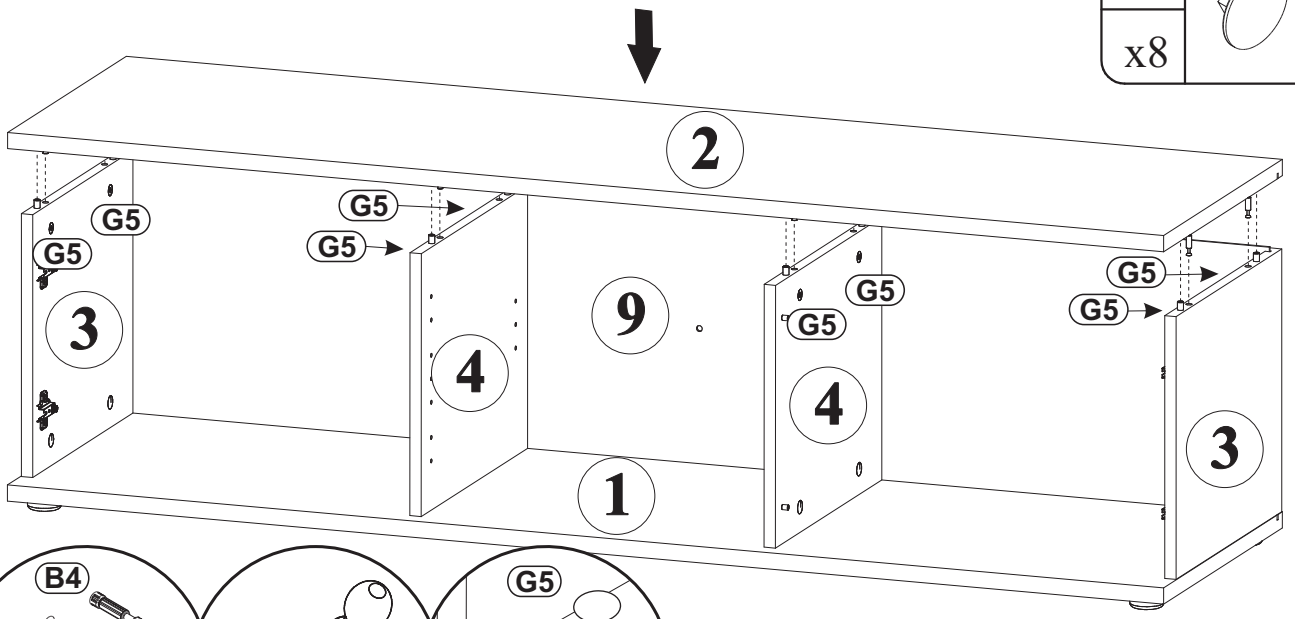


7



8


G5	
x8	

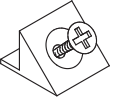


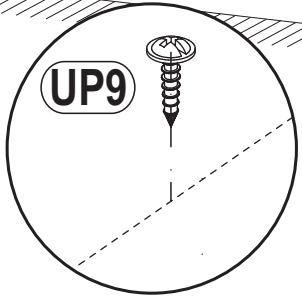
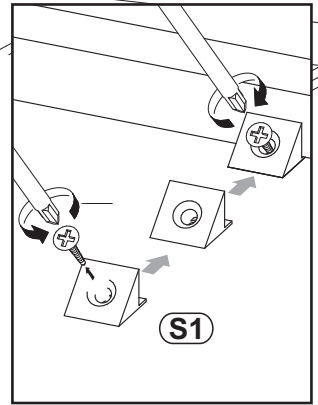
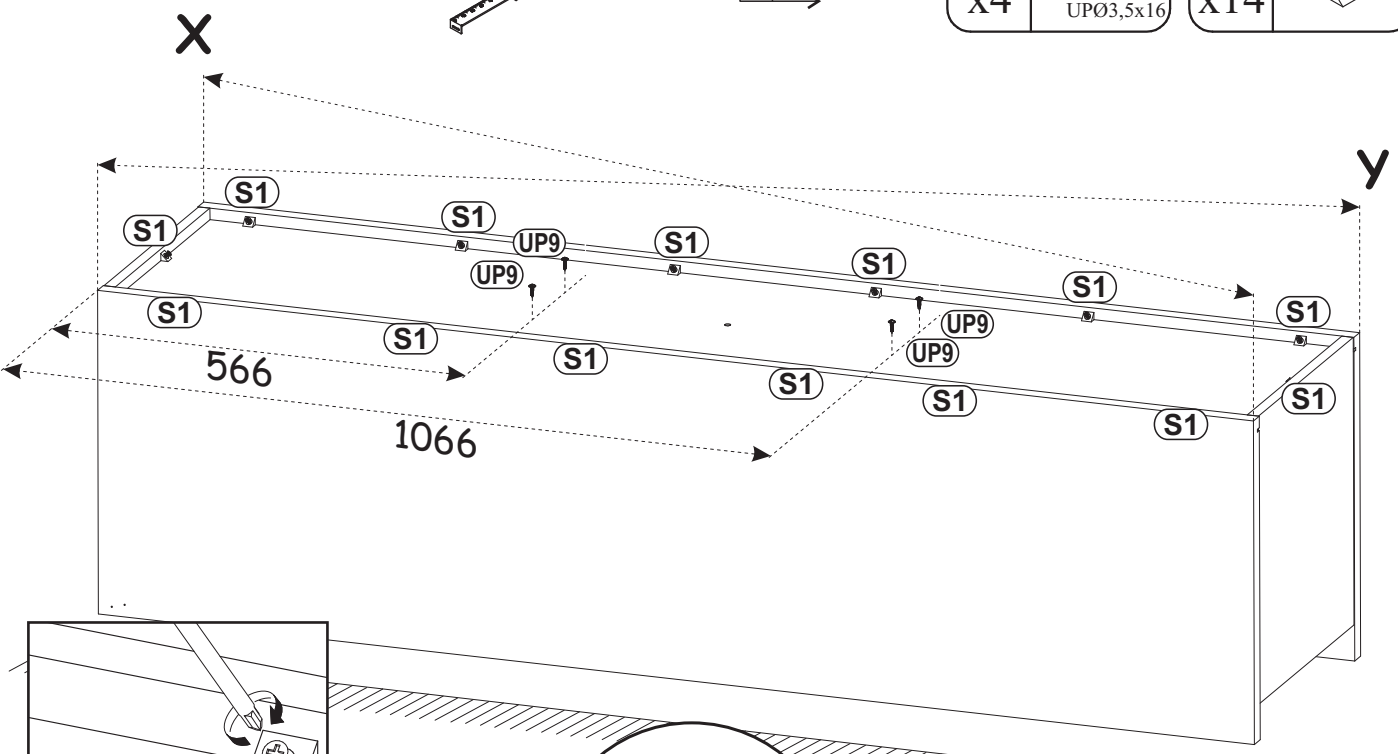
90°

9

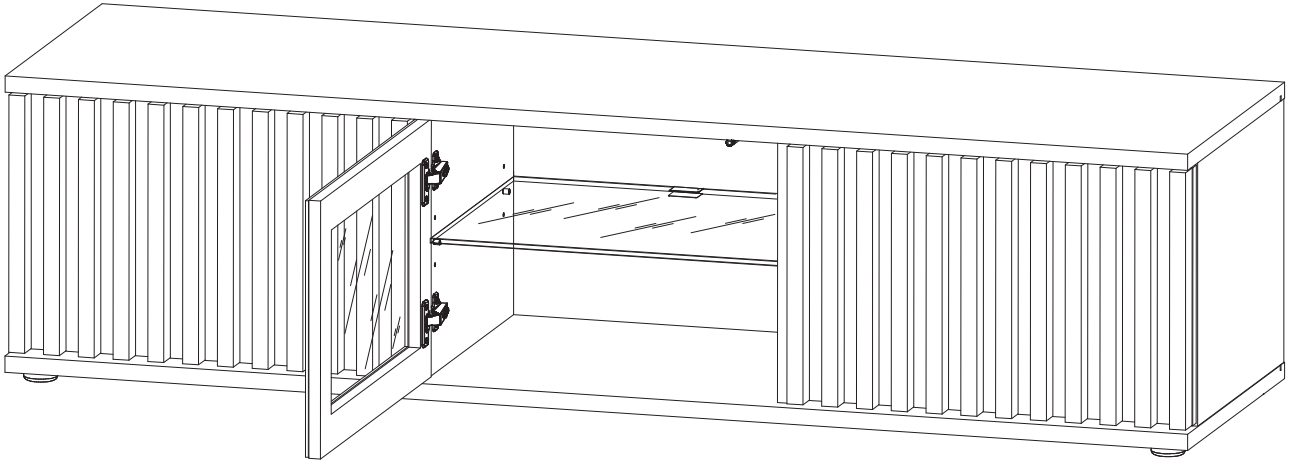


UP9	
x4	UPØ3,5x16

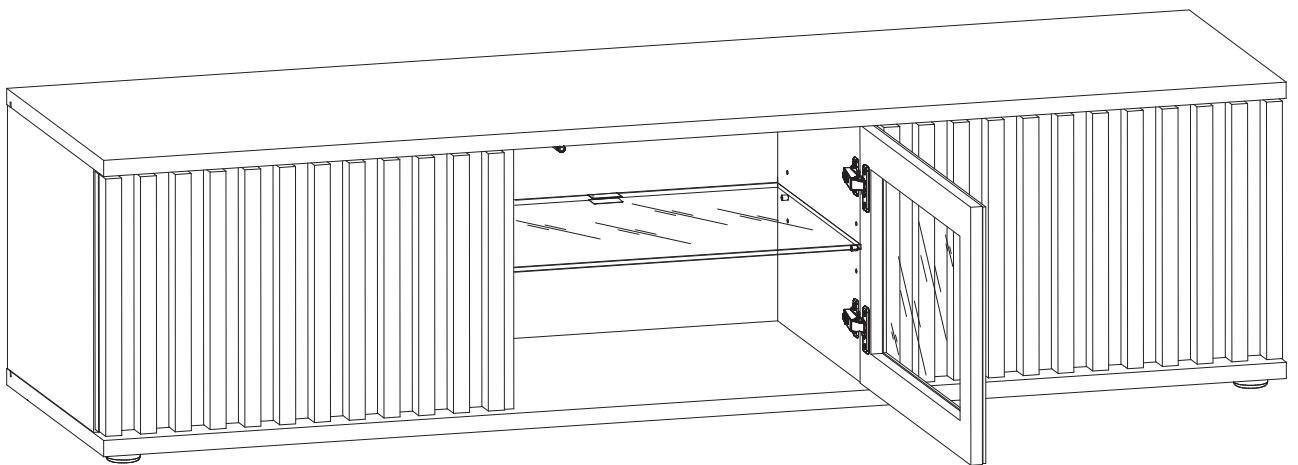
S1	
x14	



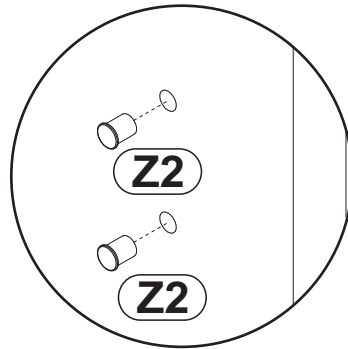
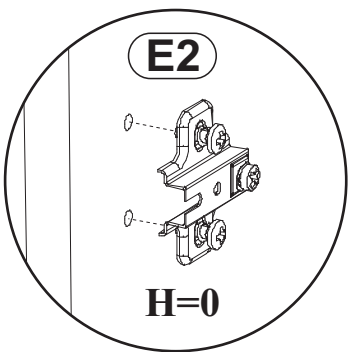
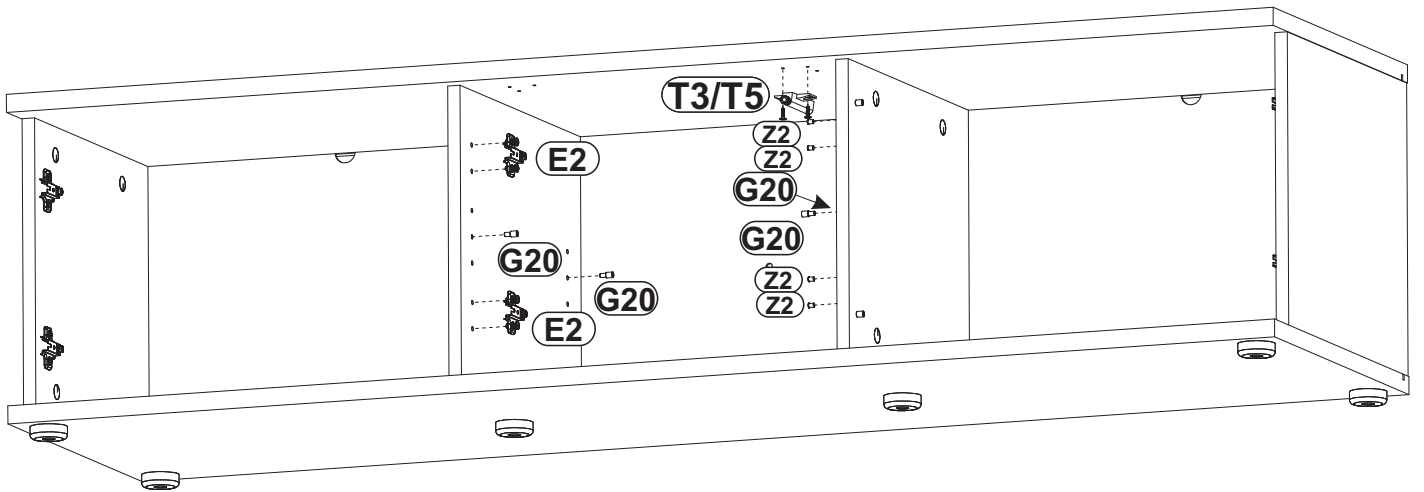
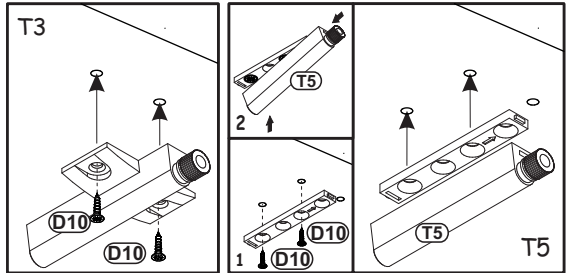
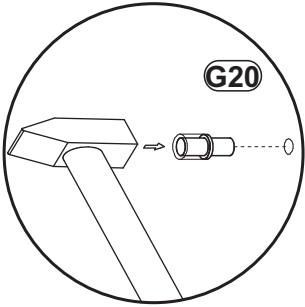
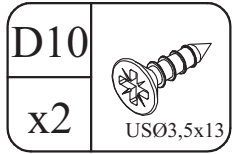
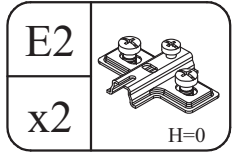
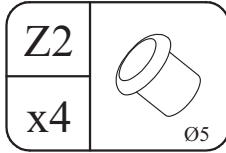
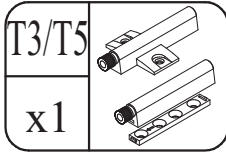
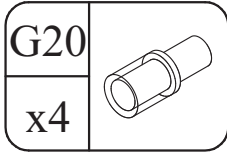
10-13



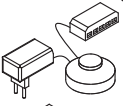
14-17





10

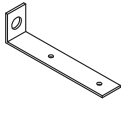


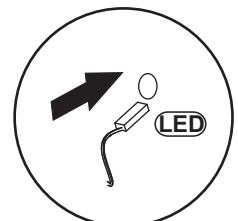
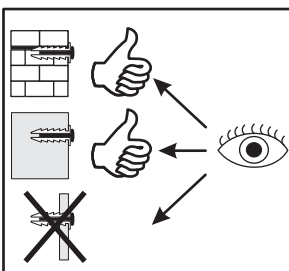
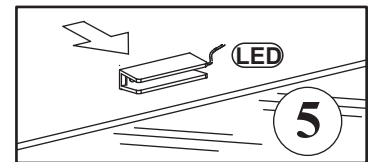
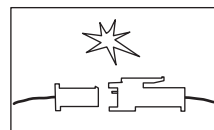
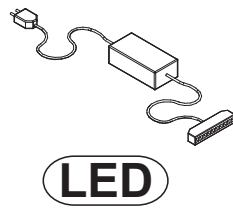
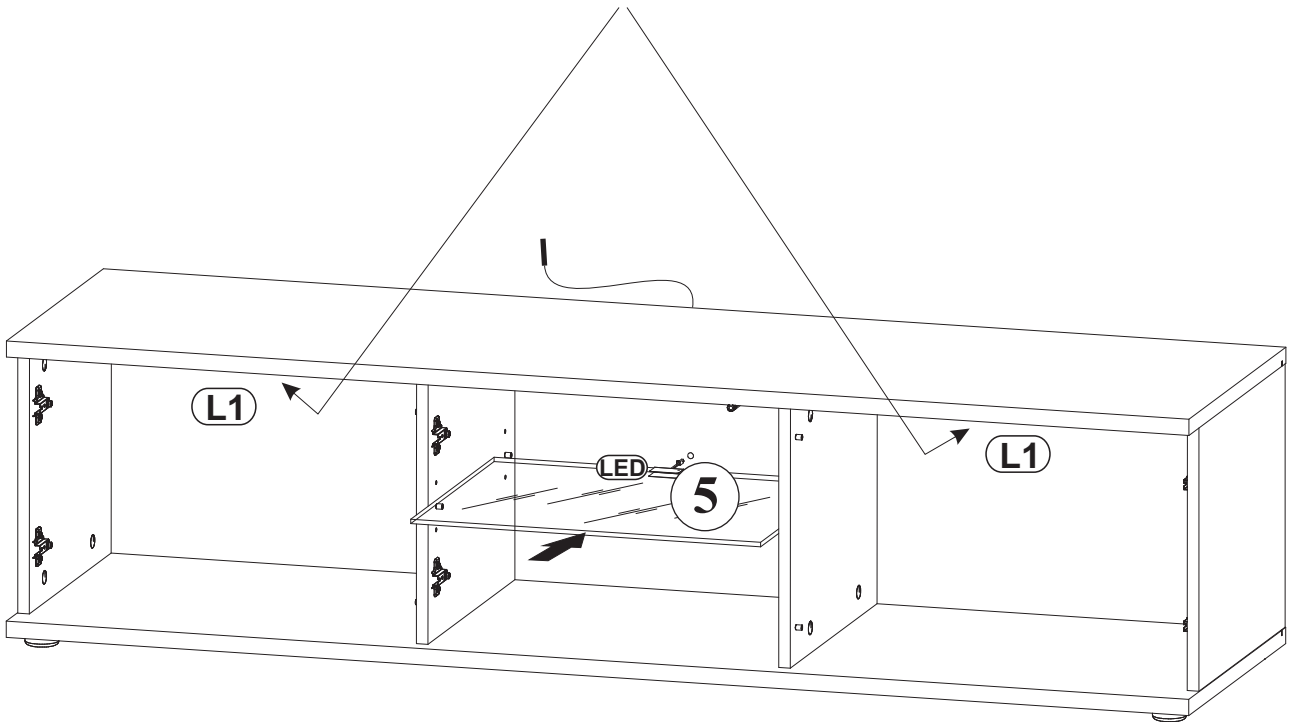
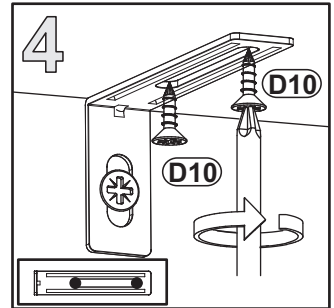
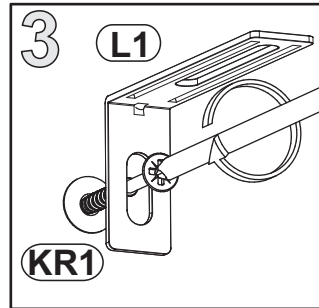
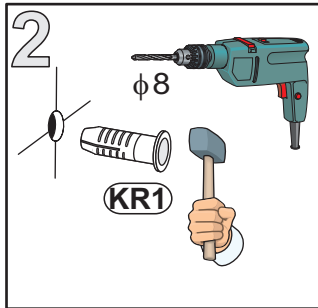
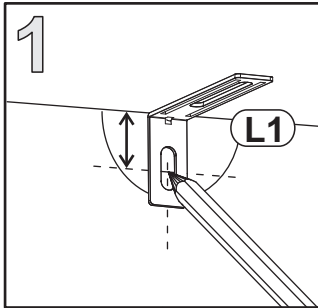
11

LED	
x1	1x1

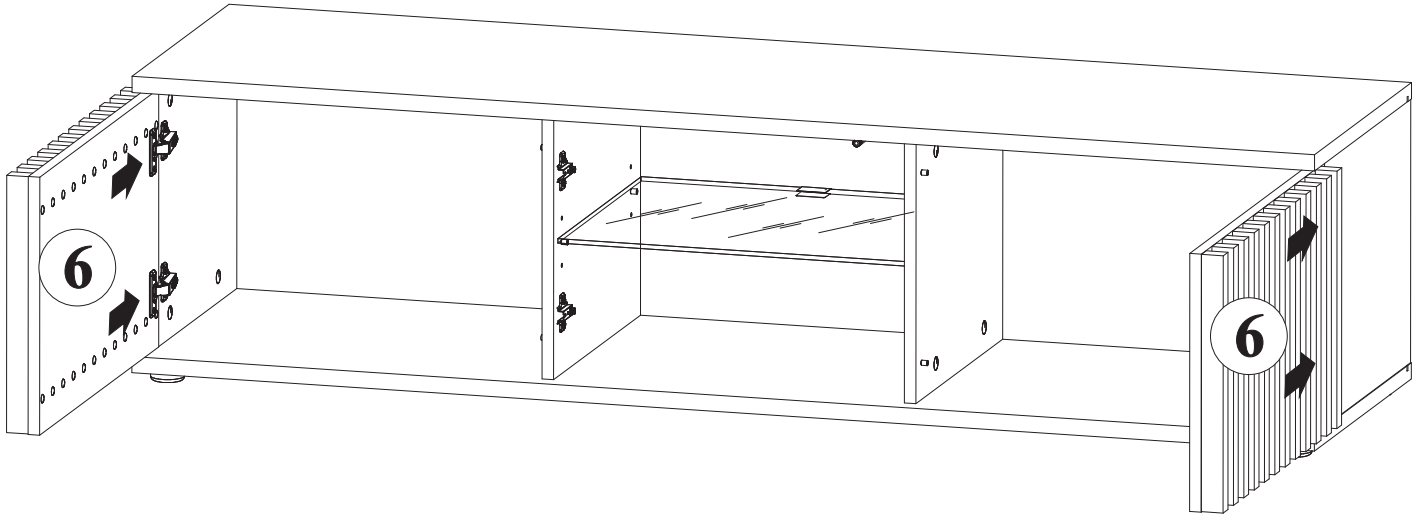
D10	
x4	USØ3,5x13

KR1	
x2	Ø8

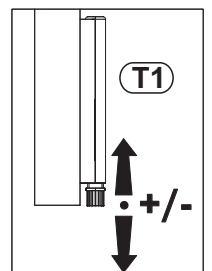
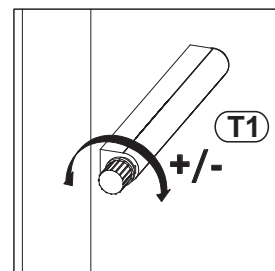
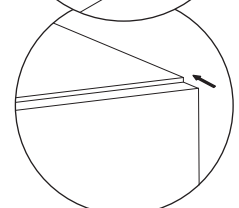
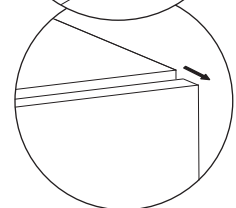
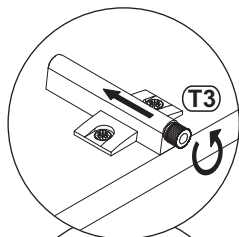
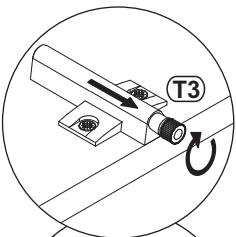
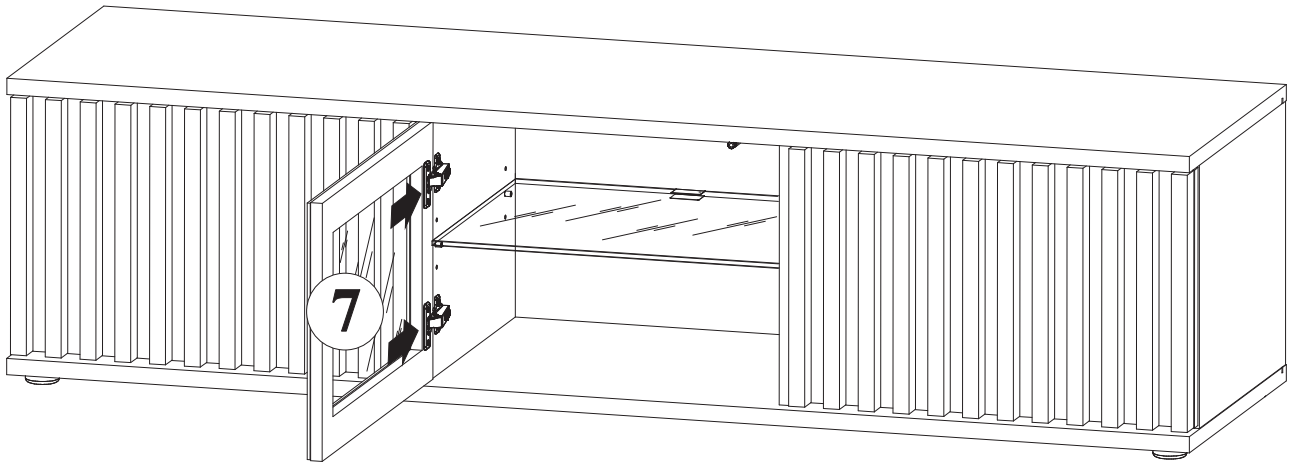
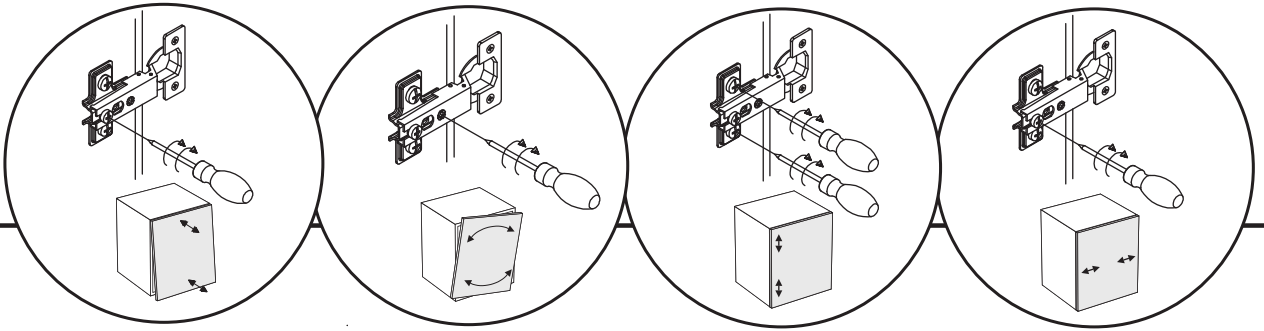
L1	
x2	

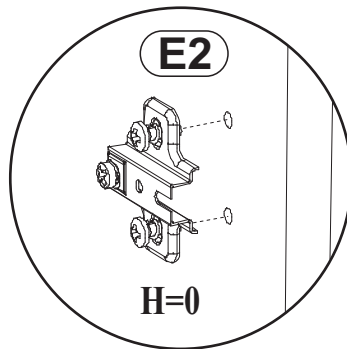
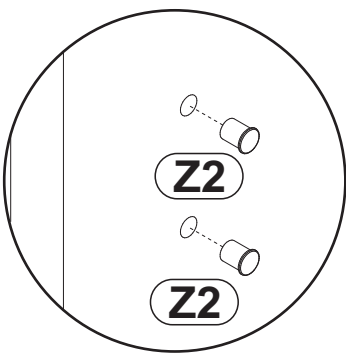
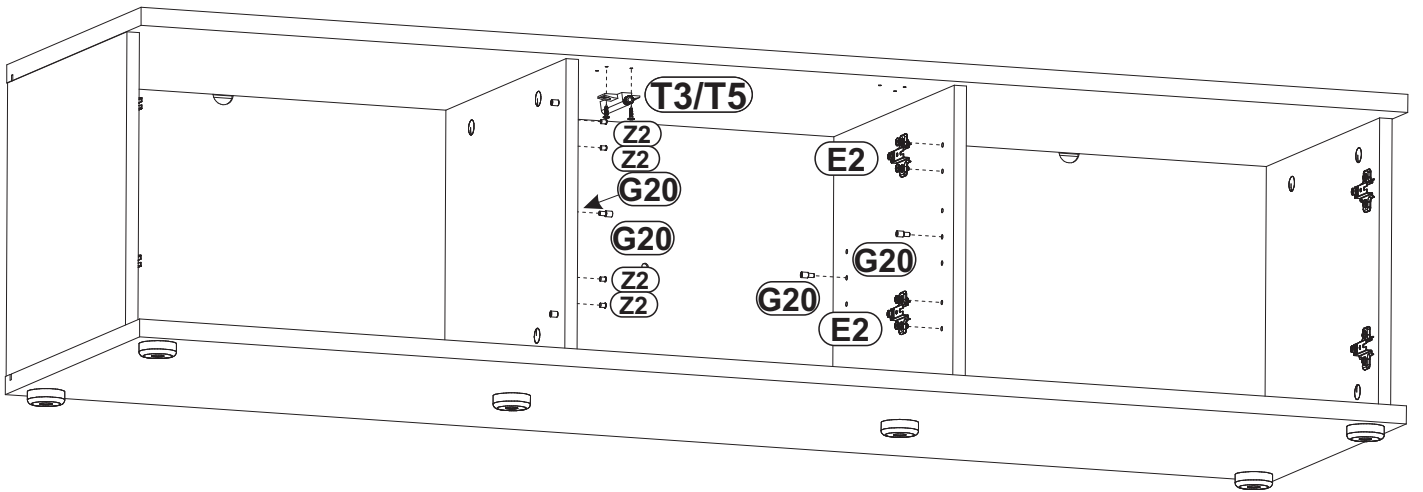
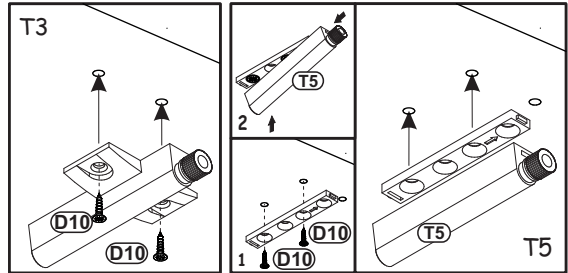
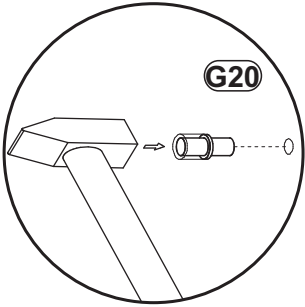
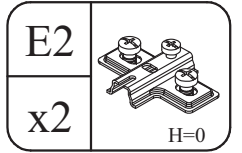
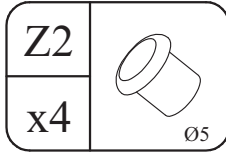
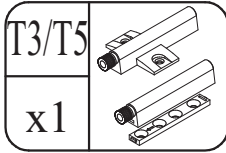
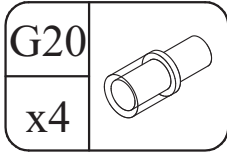


12



13





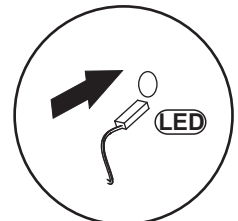
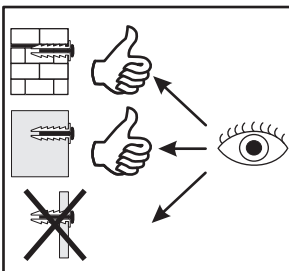
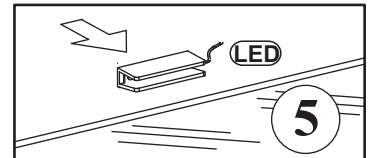
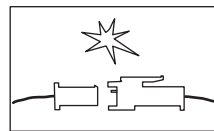
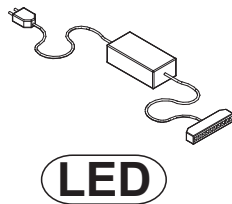
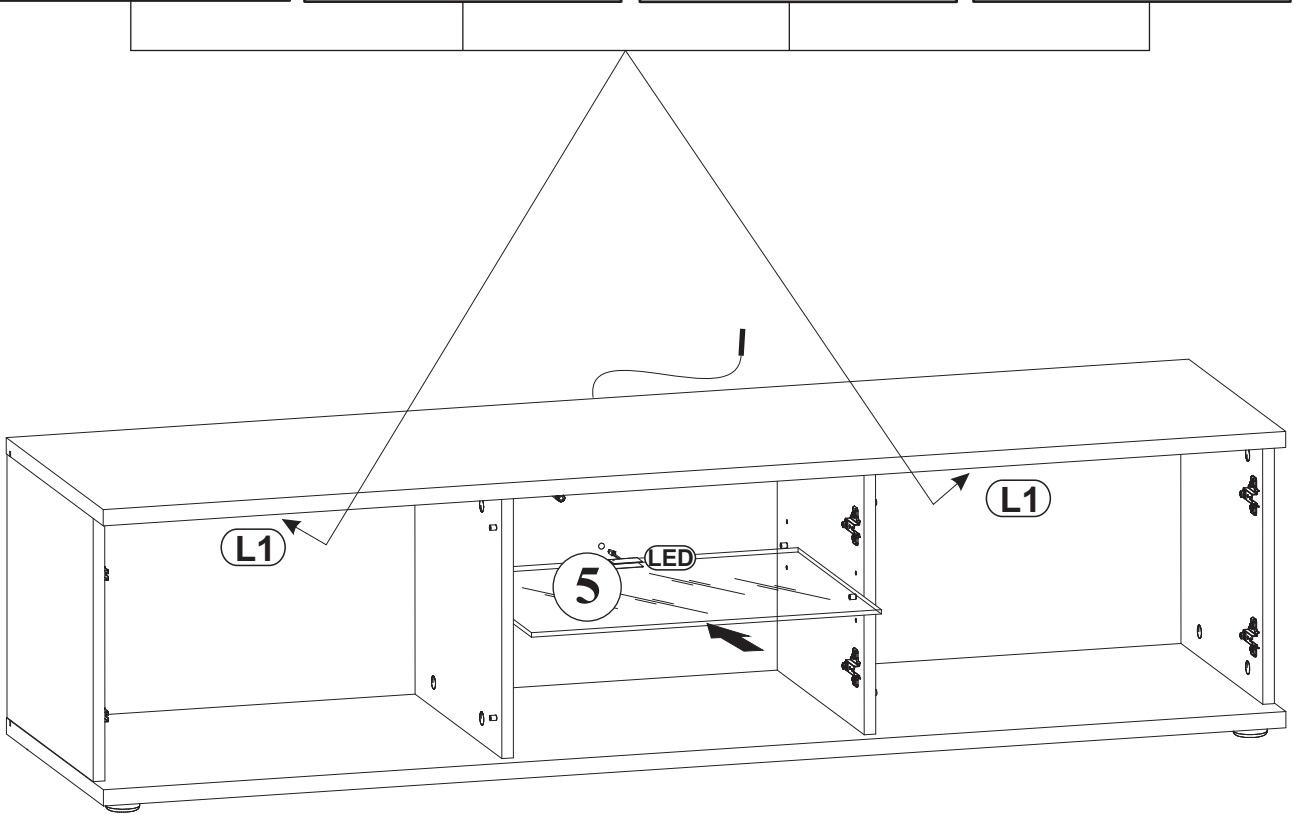
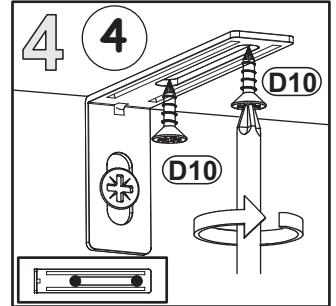
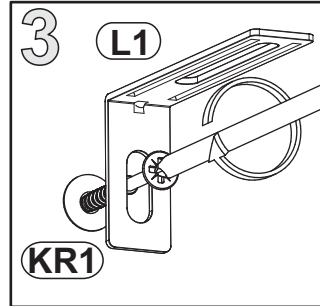
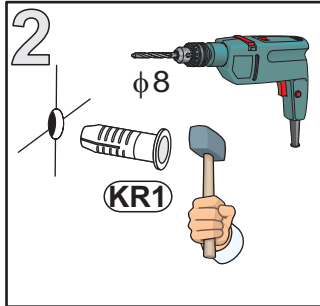
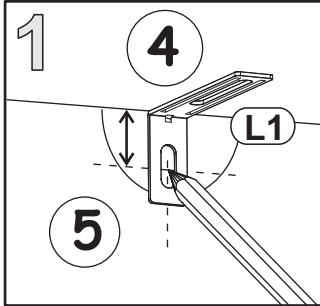
15

LED	
x1	1x1

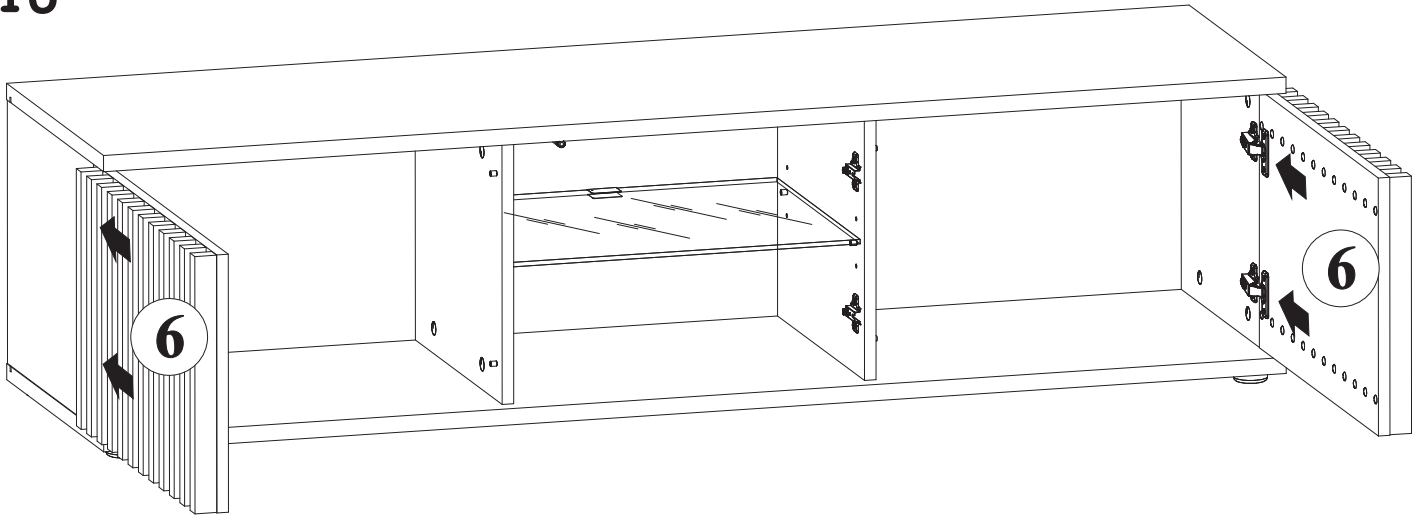
D10	
x4	USØ3,5x13

KR1	
x2	Ø8

L1	
x2	



16



17

