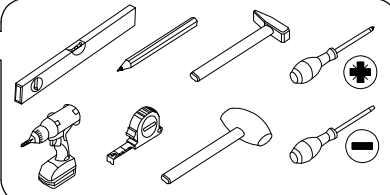
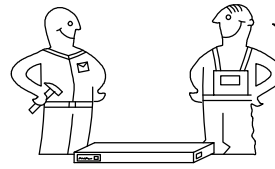
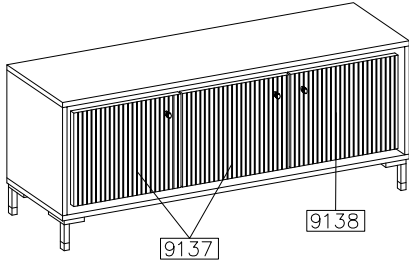
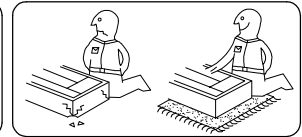
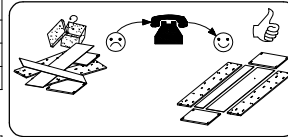
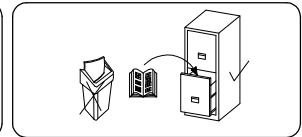
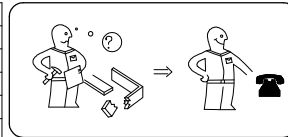


PARI

- 04

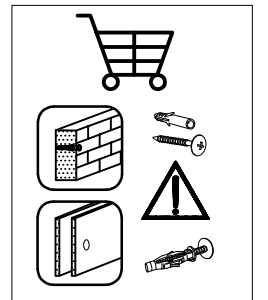
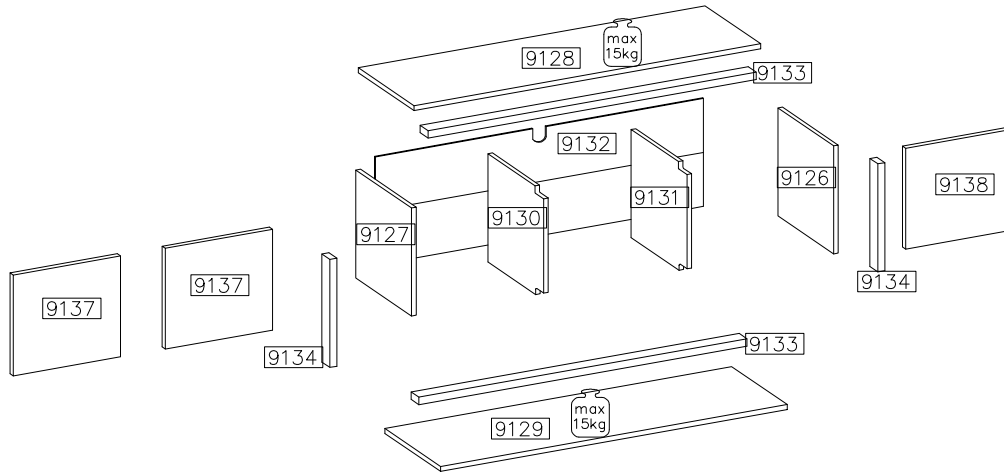
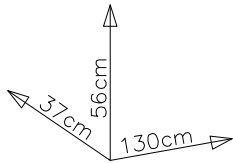
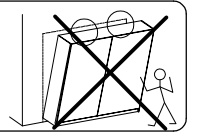
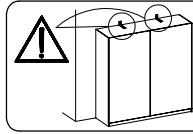


#	ART. NR	L	W	T	Q	Col.No
1	9126	408	370	16	1	1
2	9127	408	370	16	1	1
3	9128	1300	371	16	1	1
4	9129	1300	371	16	1	1
5	9130	408	330	16	1	1
6	9131	408	330	16	1	1
7	9132	1283	211	2,5	2	1
8	9133	1217	70	25	2	1
9	9134	408	70	25	2	1

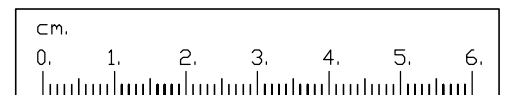


10	9137...	368	407	16	2	2
11	9138...	368	407	16	1	2

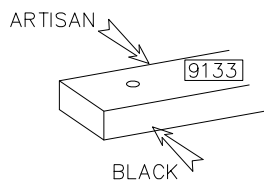
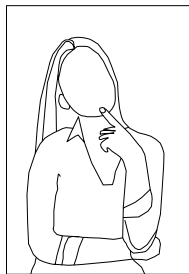
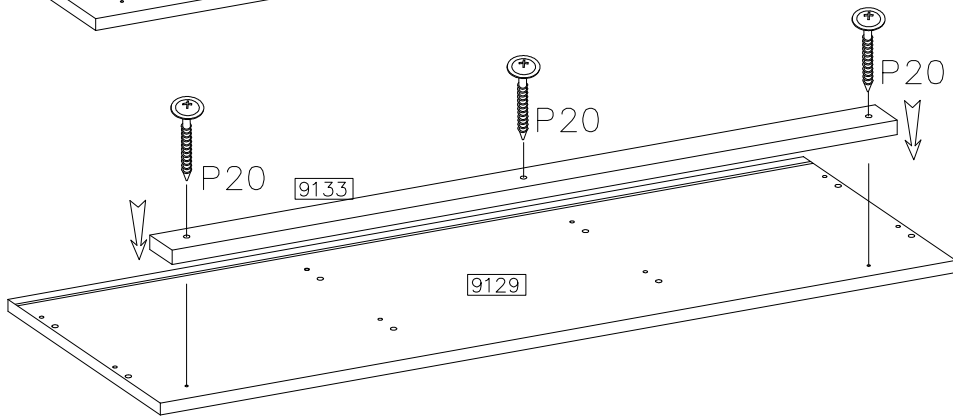
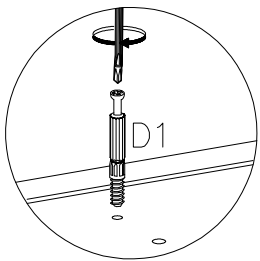
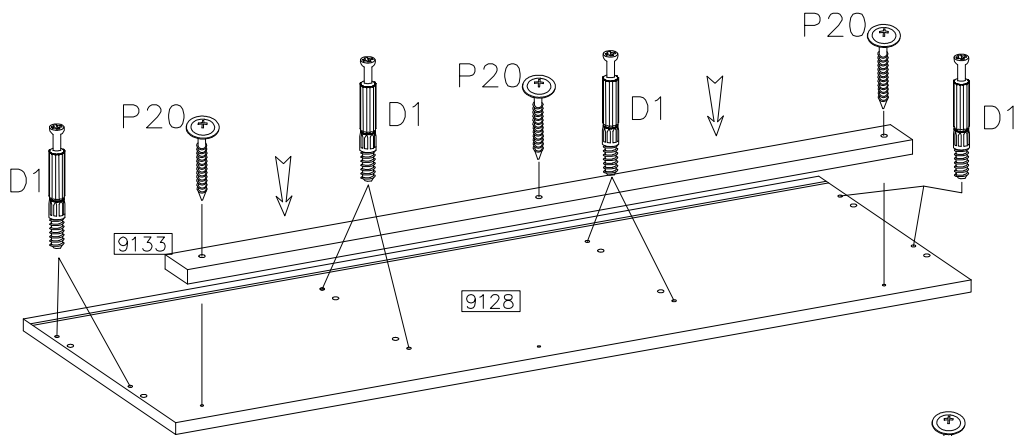
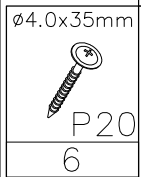
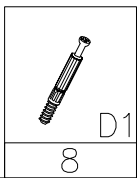
XXXXC - CZARNY
 XXXXZ - ZIELONY
 XXXXA - ARTISAN
 XXXXR - RÓŻOWY
 XXXXC - SZARY-CONGO



$\varnothing 8 \times 30 \text{mm}$ A	$\varnothing 8 \times 20 \text{mm}$ A7	$6,4 \times 50 \text{mm}$ B	$\varnothing 15/12 \text{mm}$ C	 D1	 E	 E1
16	4	8	8	8	8	8
 O	$\varnothing 5.0 \times 13 \text{mm}$ P9	 G8	$\varnothing 3.5 \times 16 \text{mm}$ N	 L	$\varnothing 3.0 \times 16 \text{mm}$ P1	
1	12	1	8	6		
 F4	$4.0 \times 25 \text{mm}$ P12	$\varnothing 35 / \text{KR}-8$ G8	$\varnothing 4.0 \times 35 \text{mm}$ P20	$\text{M}4.0 \times 20 \text{mm}$ R13	 S1	
4	16	6	10	3	3	



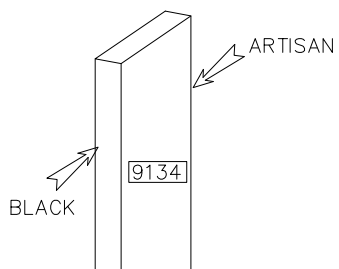
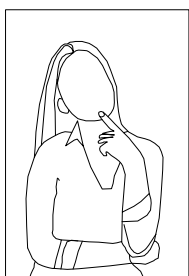
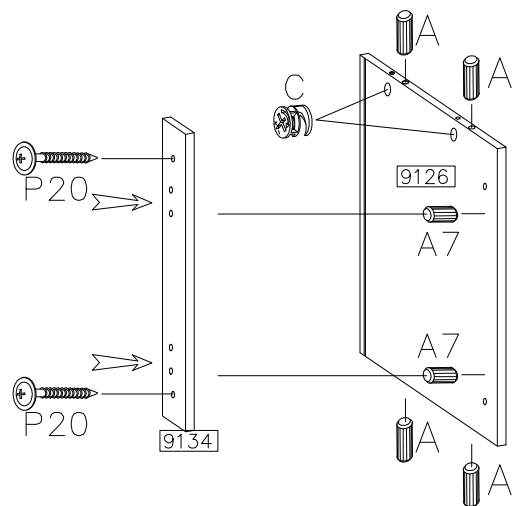
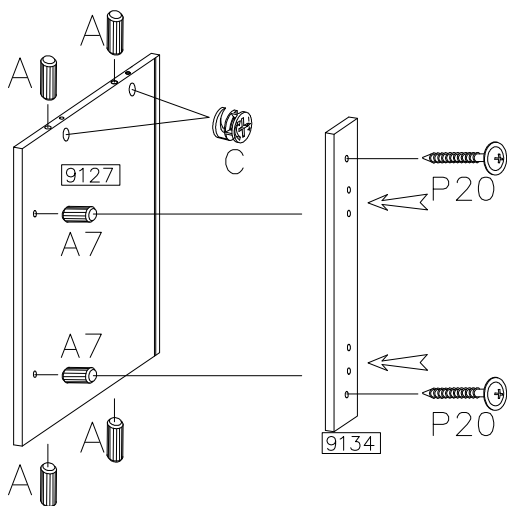
1



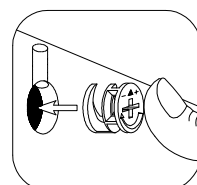
OPTION
COLOUR BLACK v COLOUR ARTISAN

2

∅15/12mm C 4	∅8x30mm A 8
∅4.0x35mm P20 4	∅8x20mm A7 4



OPTION
COLOUR BLACK v COLOUR ARTISAN



3

∅8x30mm



A

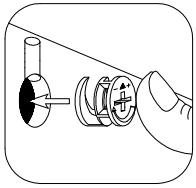
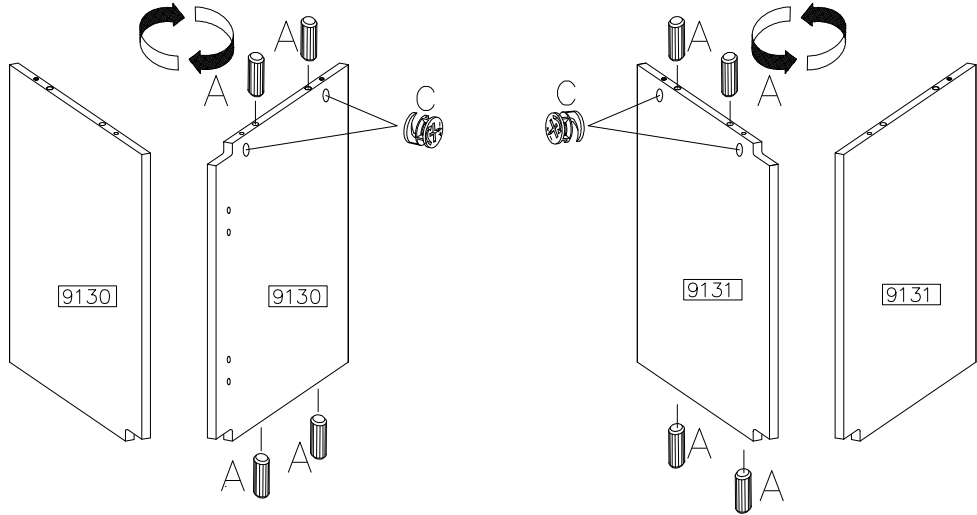
8

∅15/12mm

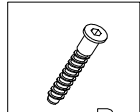
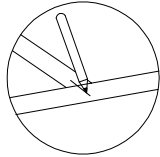


C

4

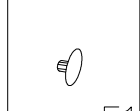


4



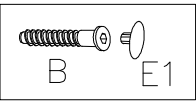
B

8



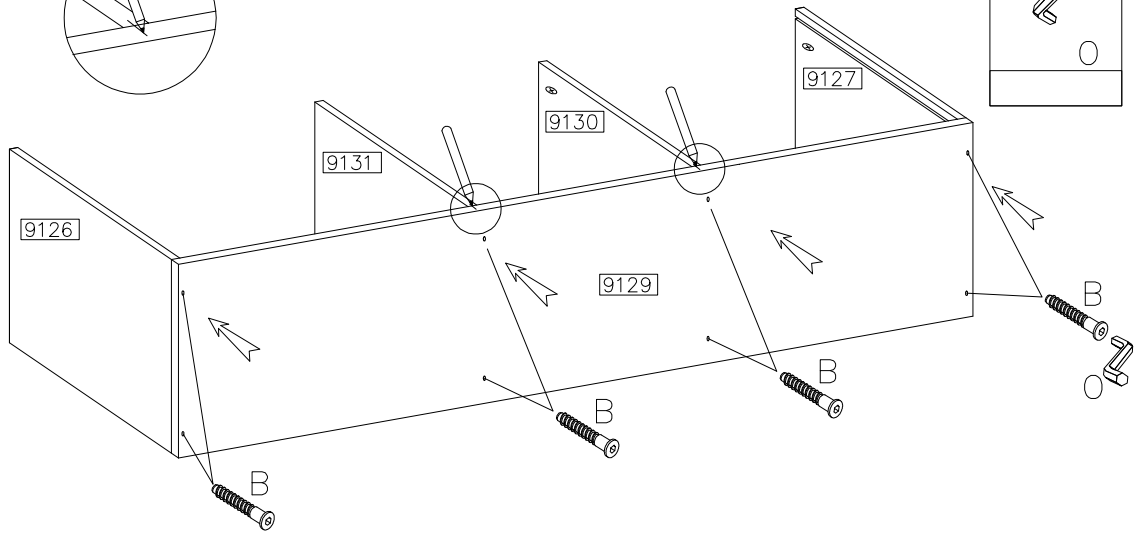
E1

8

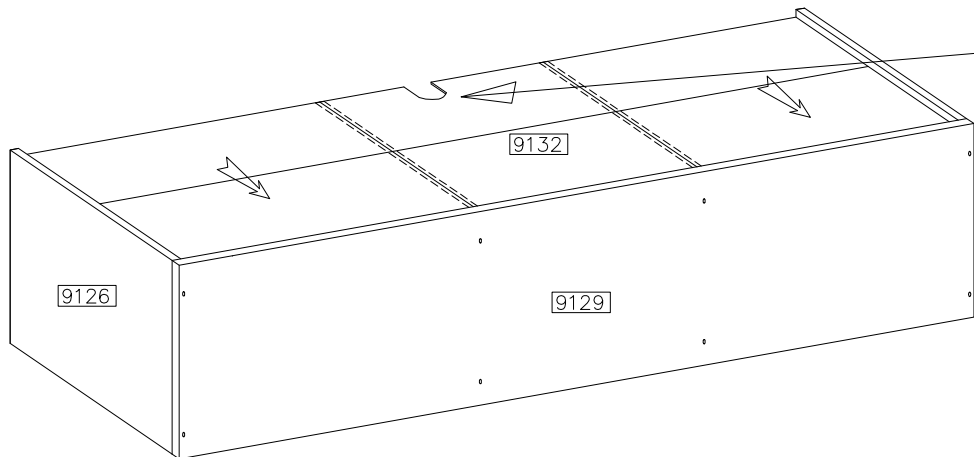


B

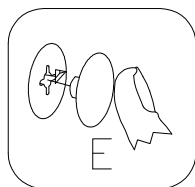
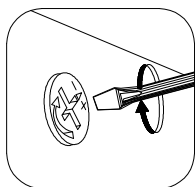
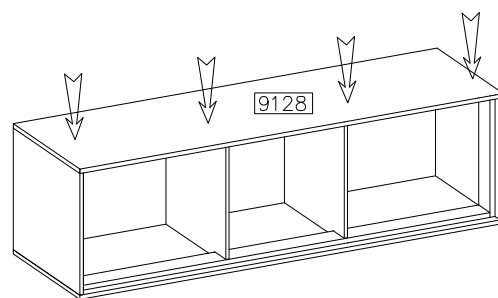
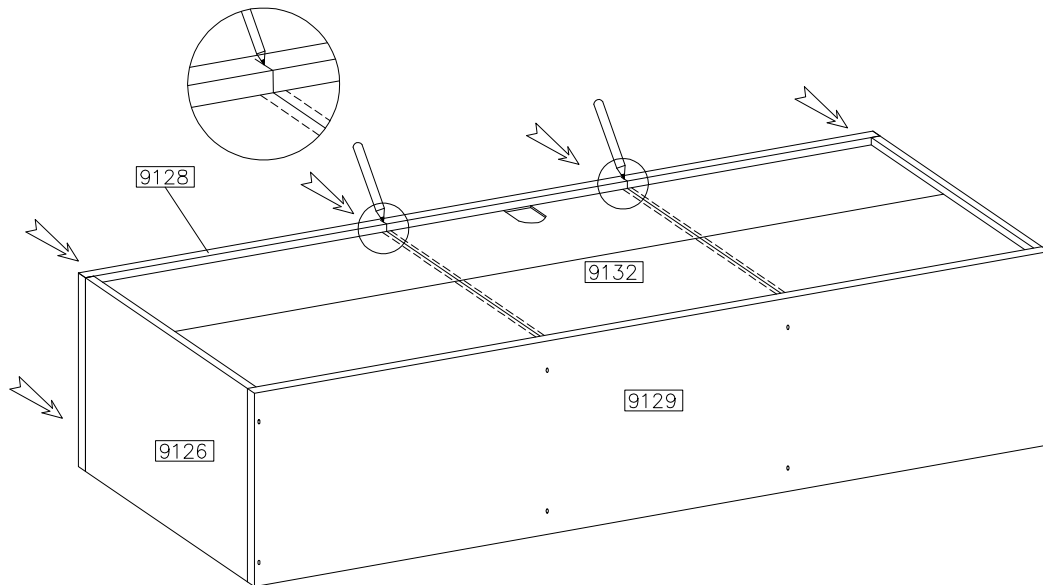
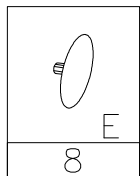
E1



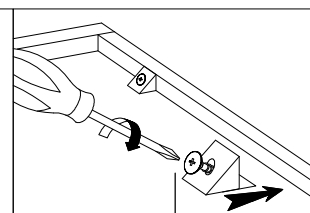
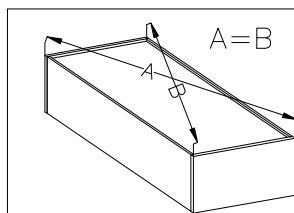
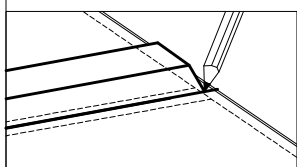
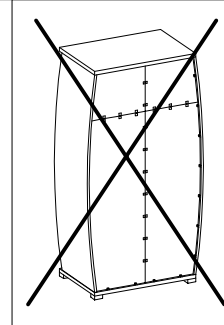
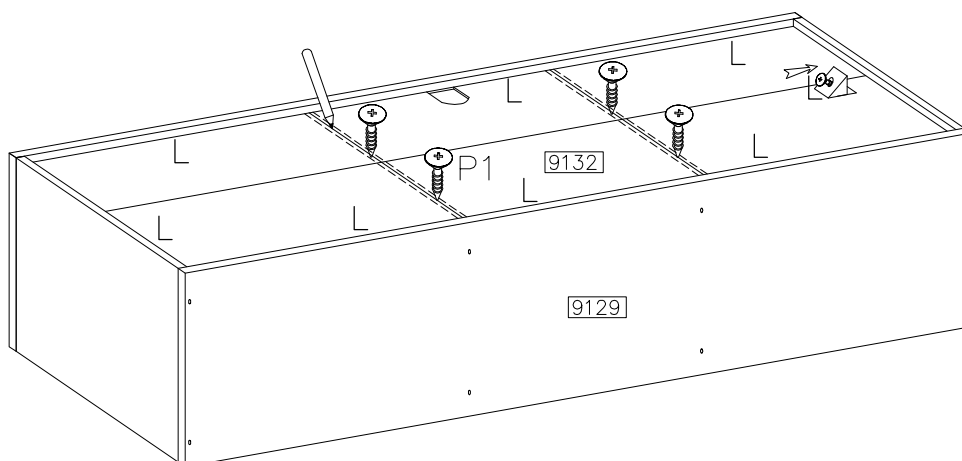
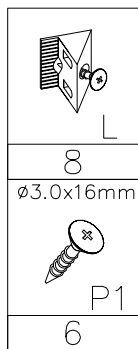
5



6



7



8



F4

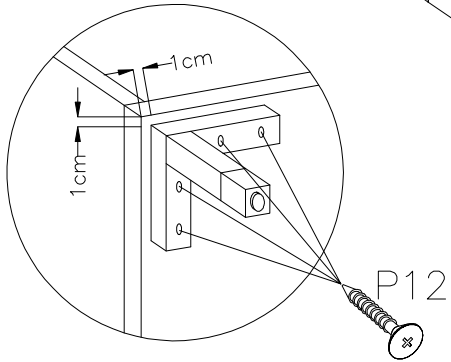
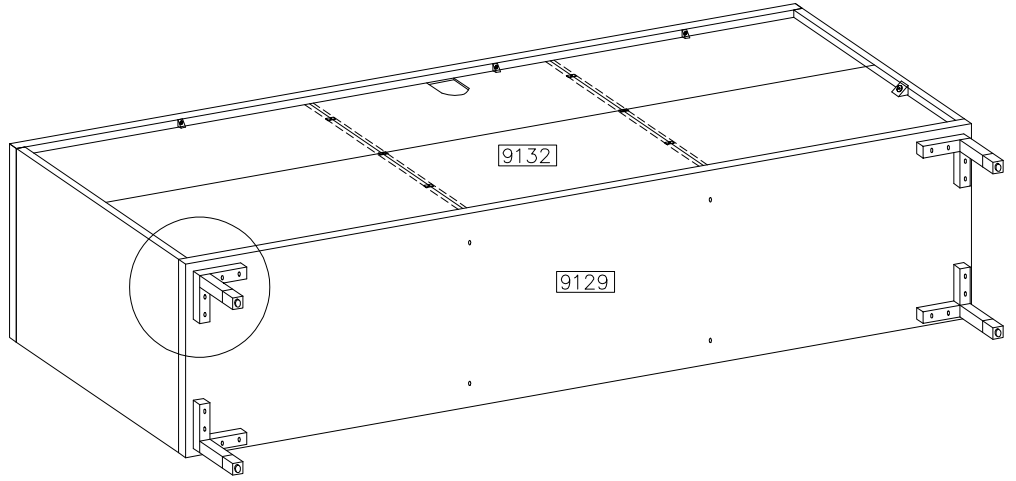
4

4.0x25mm



P12

16



9

∅35/KR-8



G8

6

5.0x13mm



P9

12

M4.0x20mm



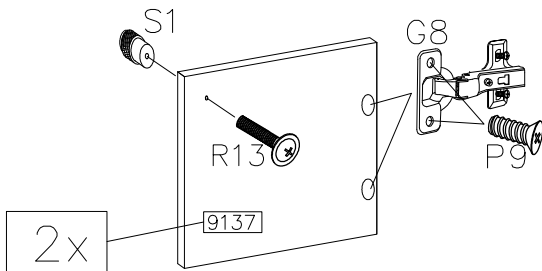
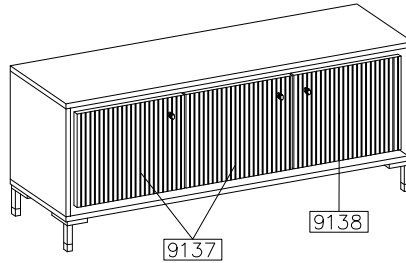
R13

3



S1

3



2x

